





Technical Drawing

Features

19" Compatibility

Material

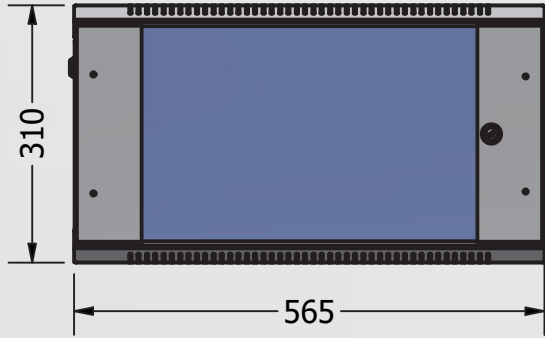
1 mm Steel

Dimensions

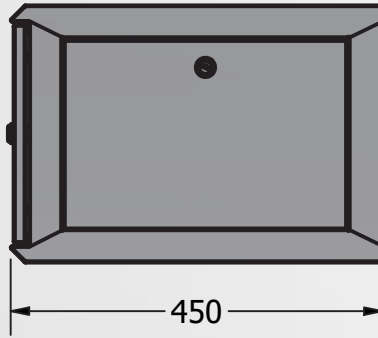
Size : 6U
Width : 565 mm
Height : 310 mm
Depth : 450 mm

Appearance

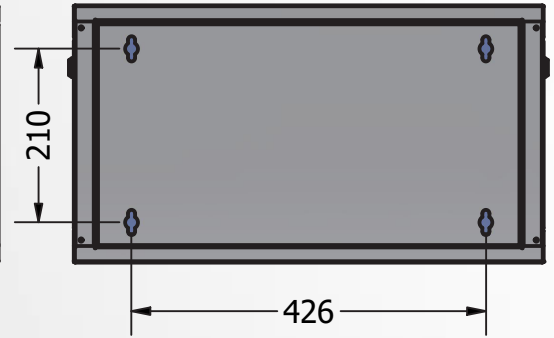
Finish Surface : Powder Coating
Color : RAL9005



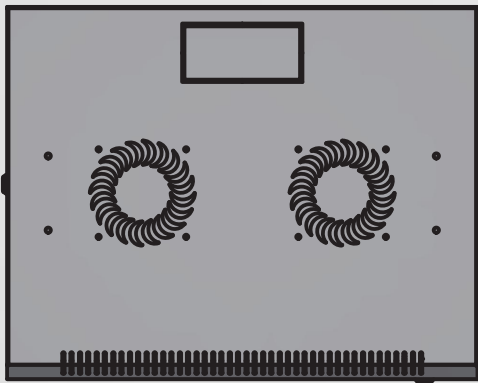
Front View



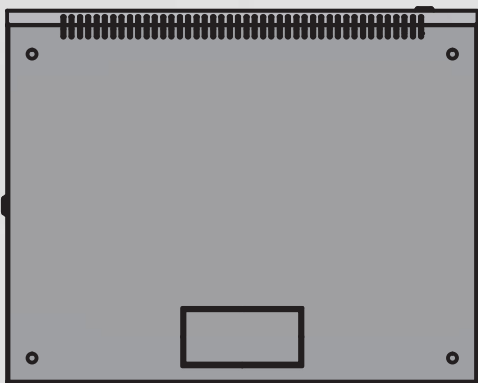
Side View



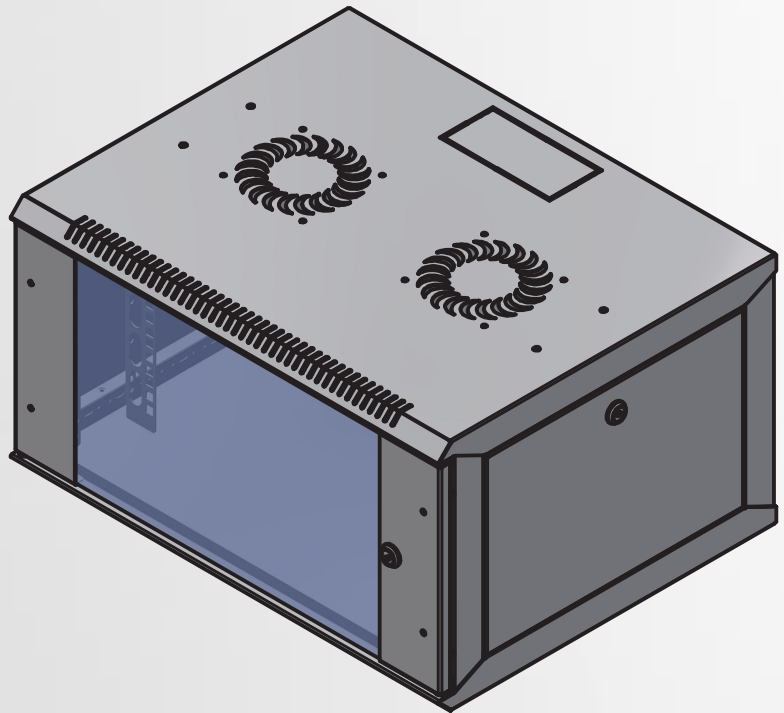
Rear View



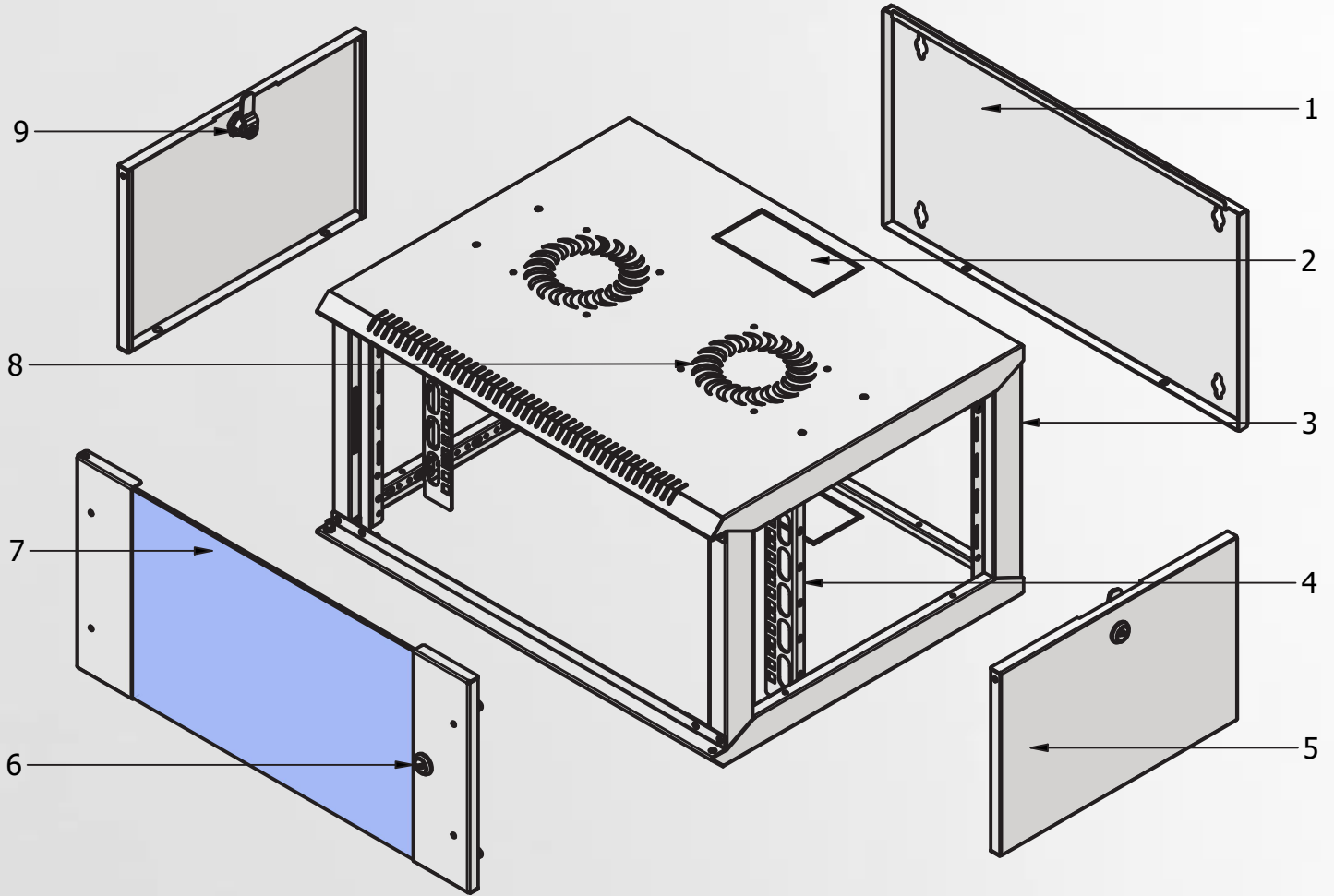
Top View



Bottom View



Front
Isometric
View



COMPONENT LIST

NO	PART NAME	NO	PART NAME
1	Rear Panel	6	Front Door Locking Mechanism
2	Breakable Cable Entry	7	Glass Front Door
3	Cabinet Body	8	Cabinet Ventilation
4	19" Device Mounting Rail	9	Side Panel Barrel Lock
5	Side Panel		